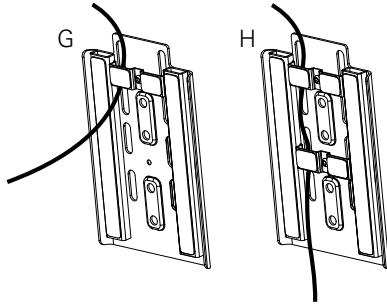


STEP 4

Cable Management

- If running QuickStand cables through the grommet hole in the work surface install only the front cable tab onto the bottom of the Bolt-Mount (fig. G)
- If running the QuickStand cables over the back of the work surface install both cable tabs onto the bottom of the Bolt-Mount (fig. H)



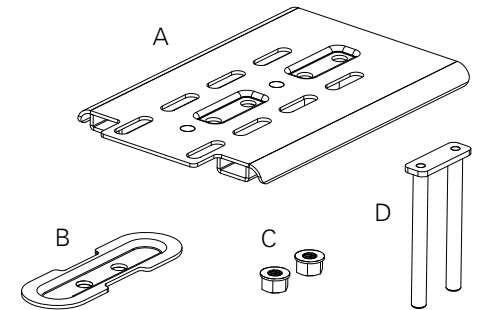
QuickStand™

Grommet Mount/Bolt-through Kit

INSTALLATION INSTRUCTIONS

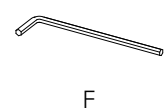
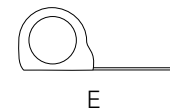
Grommet Mount/Bolt-through Parts

- A (1) Grommet Base
- B (1) Base Plate
- C (2) M8 Flange Nut
- D (1) Pair Bolt



Tools Required

- E Tape Measure
- F 5 mm Hex Key



HS05GMI1114

Customer Service:
N America +1 800 400 0625
International +353 (0)1 858 0910

www.humanscale.com

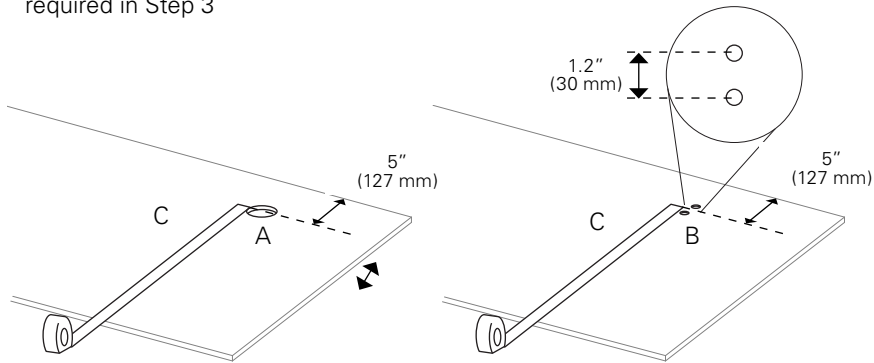


STEP 1

Preparing the Work Surface

Tools: Measuring Tape

- If using a grommet hole, drill a hole 2" (51 mm) minimum in diameter and 5" (127 mm) minimum from the rear of the work surface to the center of the grommet hole. (fig. A)
- If using bolt holes, drill two holes 1/2" (13 mm) in diameter and 1.2" (30 mm) apart from each other and 5" (127 mm) minimum from the rear of the work surface to the center between the two bolt holes. (fig. B)
- Measure from the front of work surface to the center of grommet hole or directly between the two bolt holes. (fig. C) This measurement will be required in Step 3

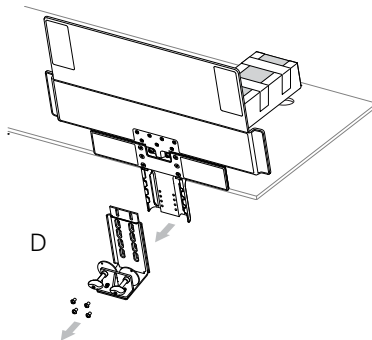


STEP 2

Remove Base Clamp

Tools: 5 mm Hex Key

- Carefully place the QuickStand down onto the work surface as shown in (fig. D). Remove the (4) M8 x 10 mm Pan Head Machine Screws to remove the Base Clamp



STEP 3

Installing Bolt Mount

Tools: Measuring Tape

5 mm Hex Key

- Place the Bolt-Mount onto the QuickStand base and position it so that the distance between the front edge of the platform to the center of the pair-bolt (fig. E) is equal to the measurement taken in Step 1. (fig. C)
- Attach the Bolt-Mount using the (4) M8 x 10 mm Pan Head Machine Screws. (fig. F)

